

ponents do not include obvious operations, such as removing door or quarter panel trim panels, texting operation of window or inspecting glass fit after adjustments or replacement have been performed.

ALIGNMENT

Up and Down

Adjustment of the door can be made at either the pillar or door hinge halves (Fig. 13).

Fore and Aft

Adjustment is made at the door hinge half. **Adjust only one hinge at a time.** Raising outer end of door moves upper part of door forward, when in closed position. Lowering the lower part of door moves lower part forward in closed position.

DOOR LATCH STRIKER ADJUSTMENT (Fig. 14)

- (1) Open door and install fixture into latch opening located on panel door inside and secure.
- (2) Close door, then open door and determine if washer is necessary for spacing.
- (3) Install striker to door, install latch, then partially close door until striker lines up with latch.

DOOR AND LATCH ADJUSTMENTS

- (1) Check all doors for contour and spacing, and all door lock strikers for proper relation to locks. Fit and readjust as follows:
 - (2) Open doors.
 - (3) Loosen door latch striker (Fig. 14).
 - (4) Loosen the necessary hinge bolts to suit each door as follows: (Fig. 13).
 - (a) For front door upper and lower hinge (body half) (forward most bolt).
 - (b) For front door upper and lower hinge (body half) (rear most bolt).
 - (c) For front door upper and lower hinge (door

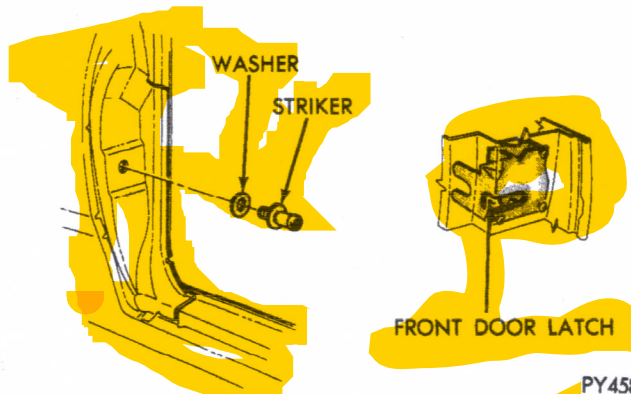


Fig. 14—Door Latch Striker Adjustment

- half) (2) upper and (3) lower bolts.
- (5) Readjust and fit doors to door openings for alignment of contour lines and belt surfaces.
- (6) Secure previously loosened hinge bolts (Fig. 13).
- (7) Readjust door latch striker.
- (8) Tighten and retorque striker to 40 to 60 foot-pounds (Fig. 14).
- (9) Close doors.

LATCH LINK (Fig. 15)

Assemble link, front door latch (Fig. 15) to lever of handle assembly, (close clip).

DOOR LOCK CYLINDER LINKAGE (Fig. 16)

- (1) Connect link front door latch key cylinder to lever portion of key cylinder.
- (2) Insert lower end of link into latch locking lever retainer.

LOCK CYLINDER—DOOR LOCK (Fig. 17)

- (1) Place handle assembly (front door outside) face down.
- (2) Position cylinder assembly to handle assembly.

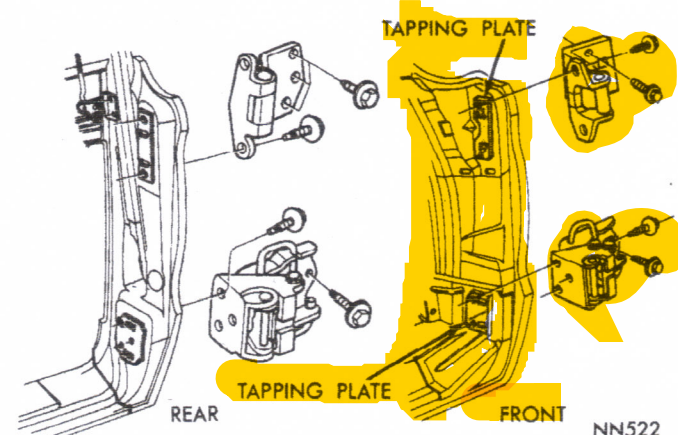


Fig. 13—Door Hinges

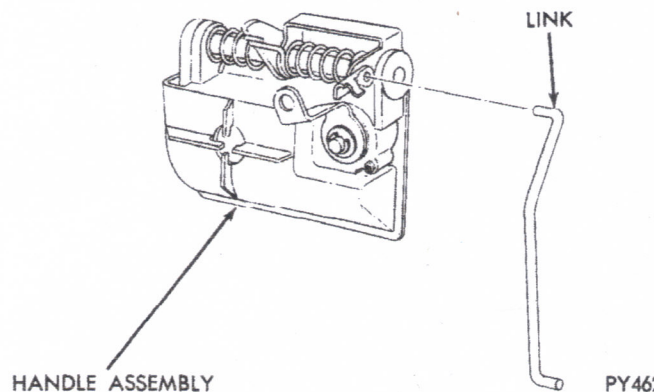


Fig. 15—Latch Link